

A

B

C

D

E

TENTATIVE
DRG. NO.

QSF:DND:16:02

ALL DIMENSIONS ARE IN mm
DO NOT SCALE THE DRAWING

8

8

7

7

6

6

5

5

4

4

3

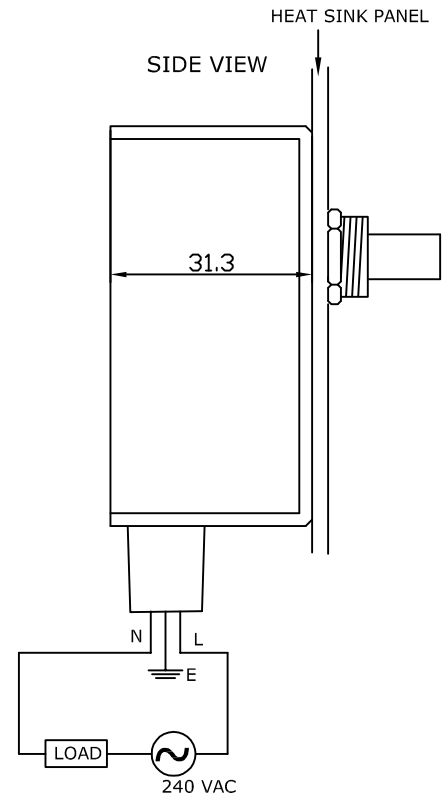
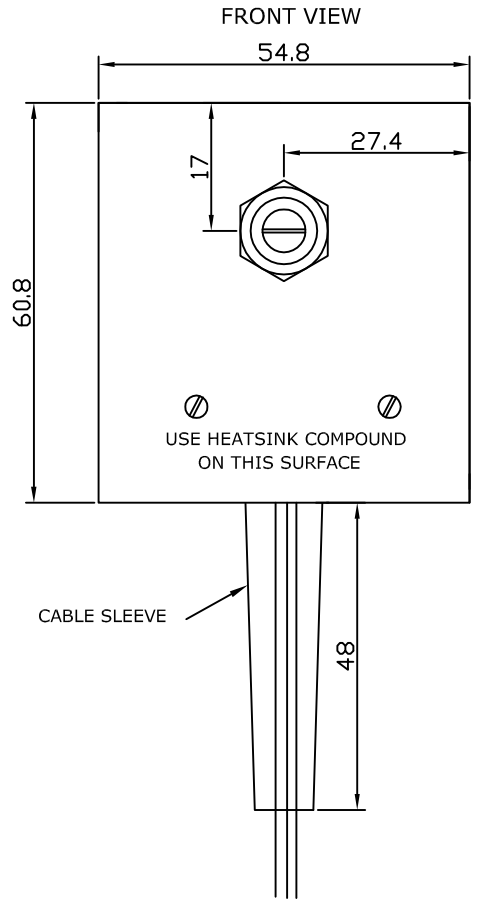
3

2

2

1

1



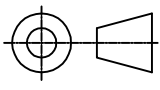
WIRING :-
 RED: 240VAC LIVE (L)
 LOAD BETWEEN BLACK & NEUTRAL (N)
 GREEN: EARTH(E)

WARNING
 LIVE TERMINALS- SWITCH OFF SUPPLY BEFORE COMMENCING ANY SERVICE WORK
 NOTE FOR HEAT SINK PANEL MOUNTING:
 A 10mm HOLE IS REQUIRED TO ACCEPT MOUNTING BUSH
 USE HEAT SINK COMPOUND FOR EFFECTIVE THERMAL COUPLING

MATERIAL: ---				FINISH: ---		
GRADE: -----				WEIGHT: -----		
UNSPECIFIED DIMENSION TOLERANCE						
0-6	6-30	30-120	120-320		NAME	DATE
±0.05	±0.10	±0.15	±0.20	DRAWN		
<p align="center">UCI Under Control Instruments Ltd.</p>				CHEKD		
				DEGND		
				APPRD		
ISSUE	DATE	AMMENDMENT	APPRD	ECN.NO.		

SCALE : --- TITLE:

DRG.NO.



PRODUCT DRAWING

TENTATIVE
 SHEET 10F1

PROJECT CODE/NAME : UVR/S ENERGY REGULATOR